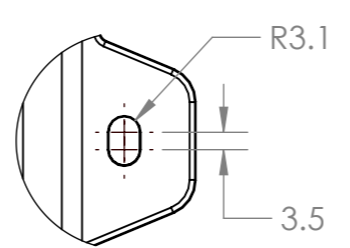
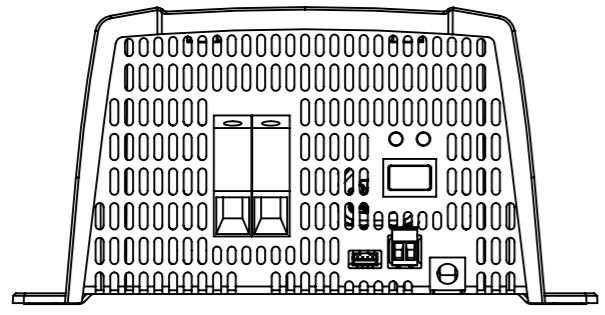
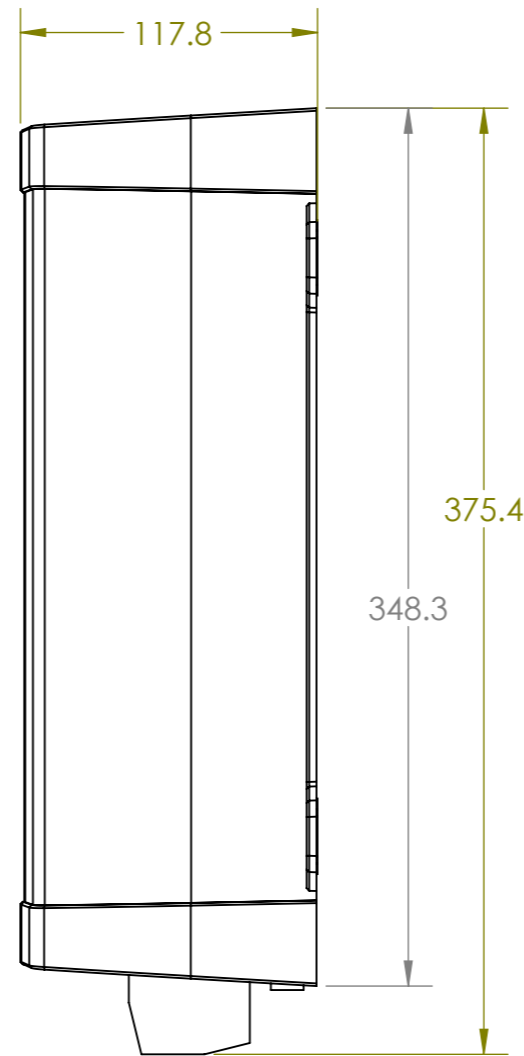
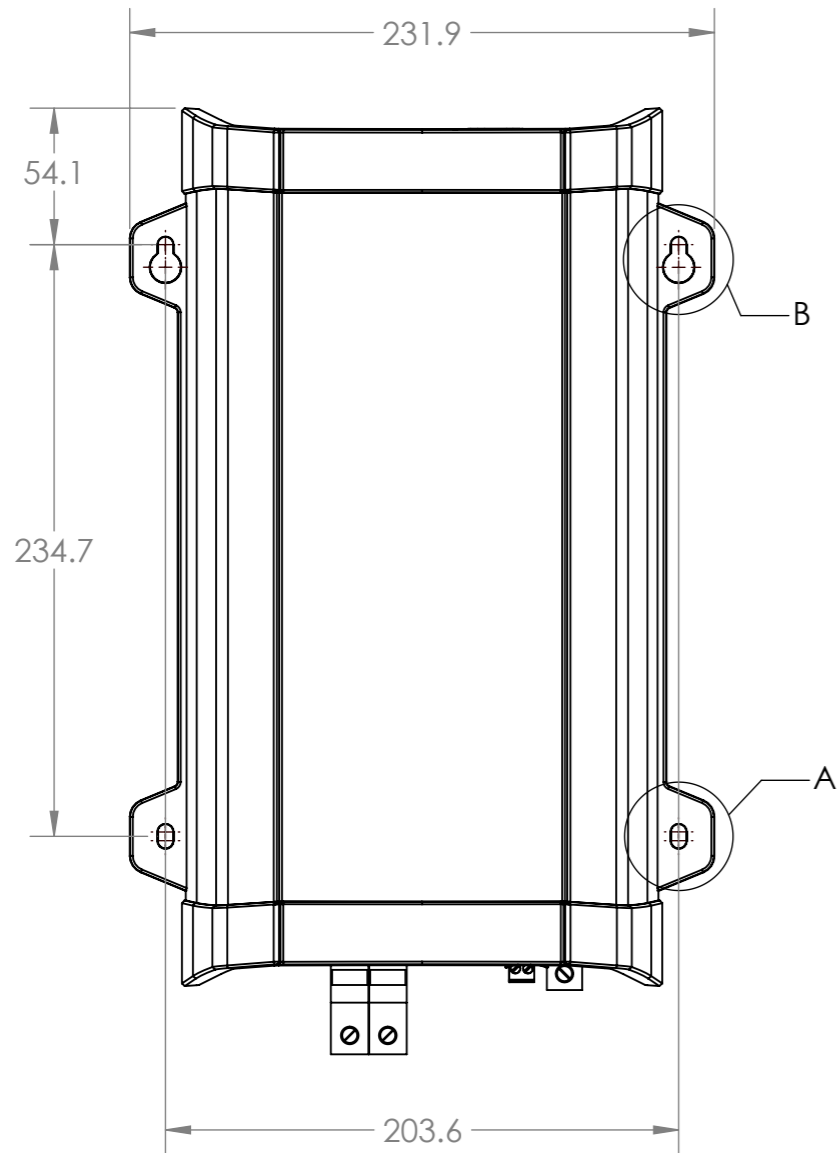
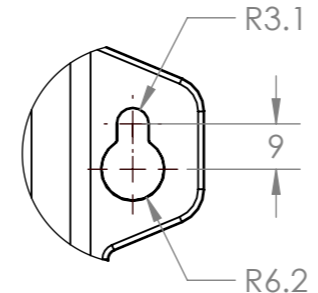


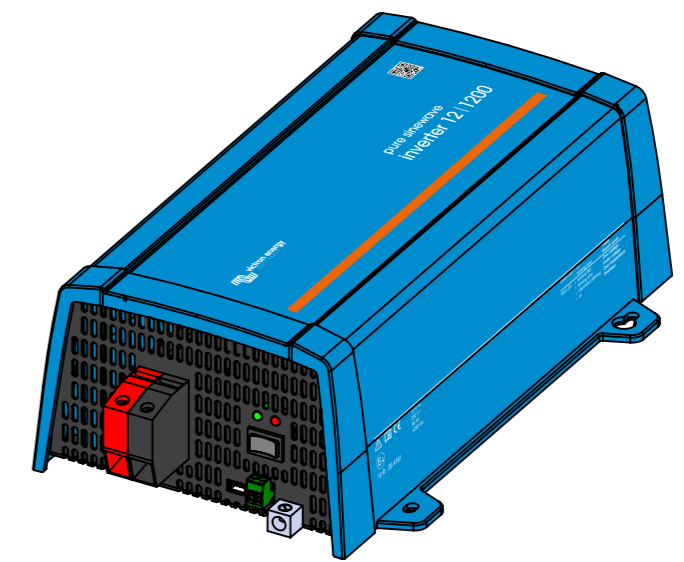
Dimension Drawing - Inverter VE.Direct (HW10)	
PIN122121100	Inverter 12/1200 230V VE.Direct IEC
PIN122121200	Inverter 12/1200 230V VE.Direct SCHUKO
PIN122121300	Inverter 12/1200 230V VE.Direct AU/NZ
PIN122121400	Inverter 12/1200 230V VE.Direct UK
PIN122122500	Inverter 12/1200 120V VE.Direct NEMA 5-15R
PIN122120510	Inverter 12/1200 120V VE.Direct NEMA GFCI



DETAIL A  
SCALE 2 : 3



DETAIL B  
SCALE 2 : 3



Dimensions in mm



victron energy

BLUE POWER